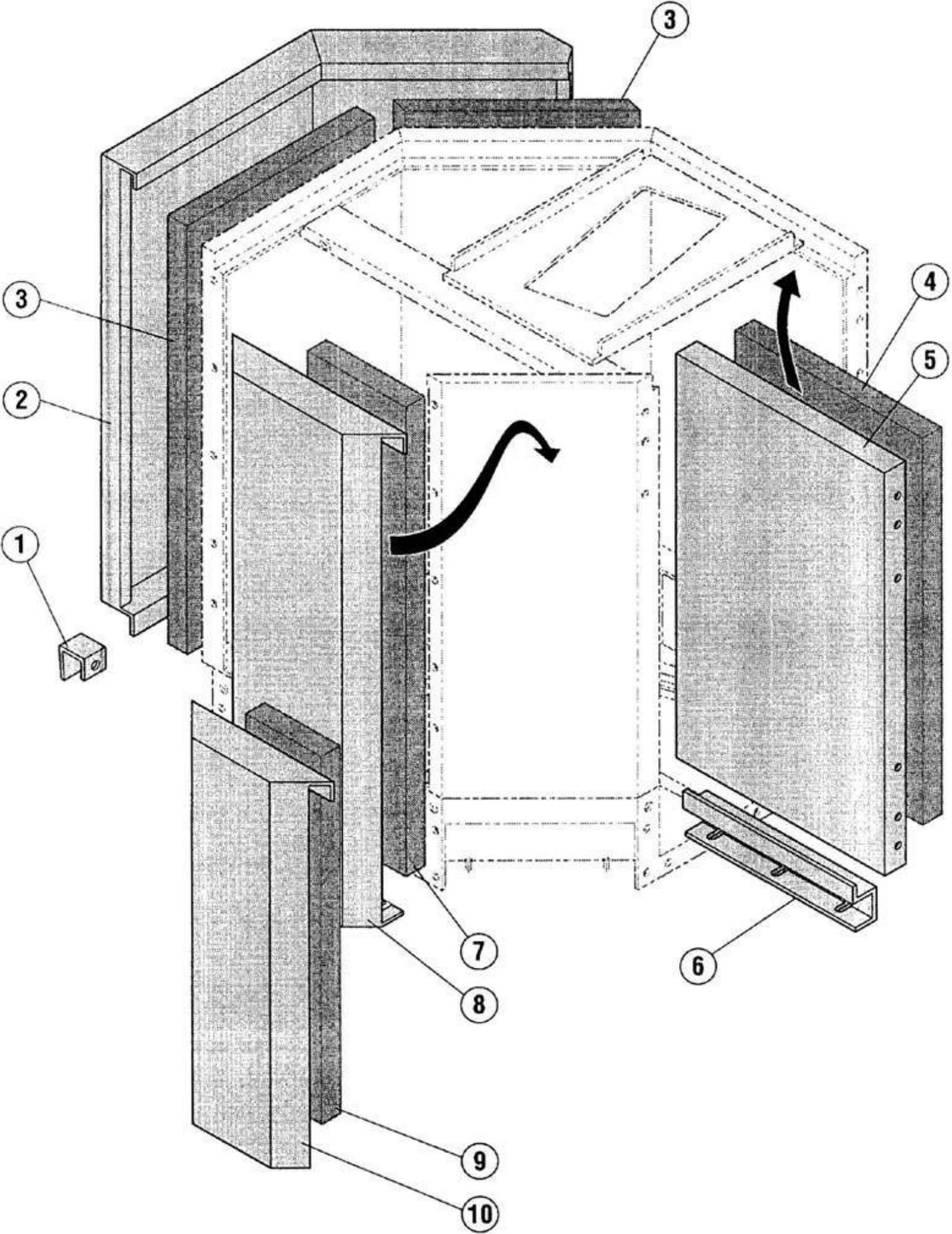


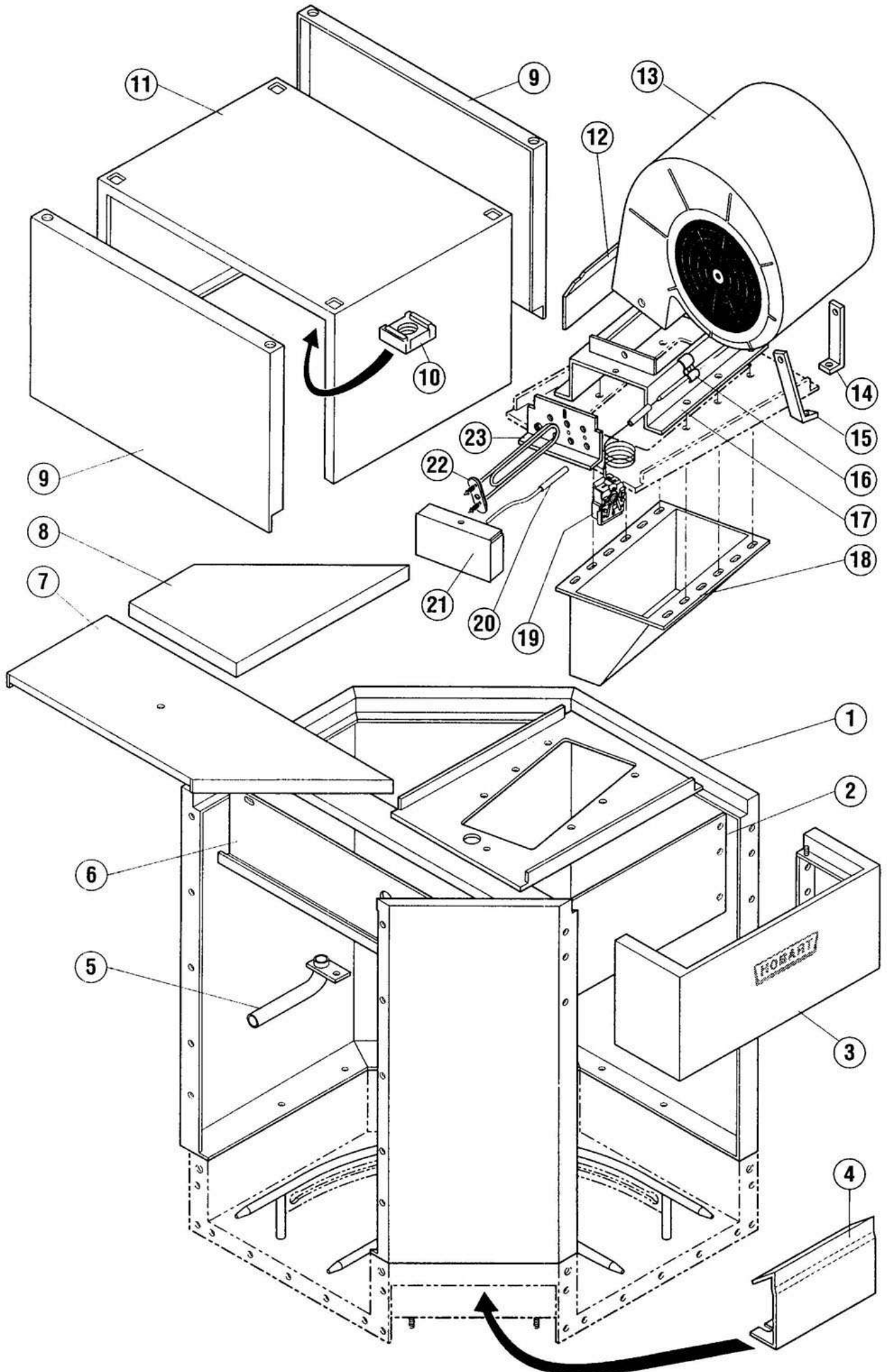
**HOBART****CDC 90  
CDC 180**

Pos.	L/R G/D	R/L D/G	Specifications / Spécification / Angaben / Opgaven
1	735 400-1	=	2x
2	735 410-1	=	
3	229 507-68	=	798 x 515
4	229 507-67	=	565 x 484
5	735 417-1	=	
6	735 419-1	=	
7	229 507-69	=	CDC 90 267 x 824
8	735 409-1	=	CDC 90
9	229 507-70	=	CDC 180 194 x 668
10	735 399-1	=	CDC 180

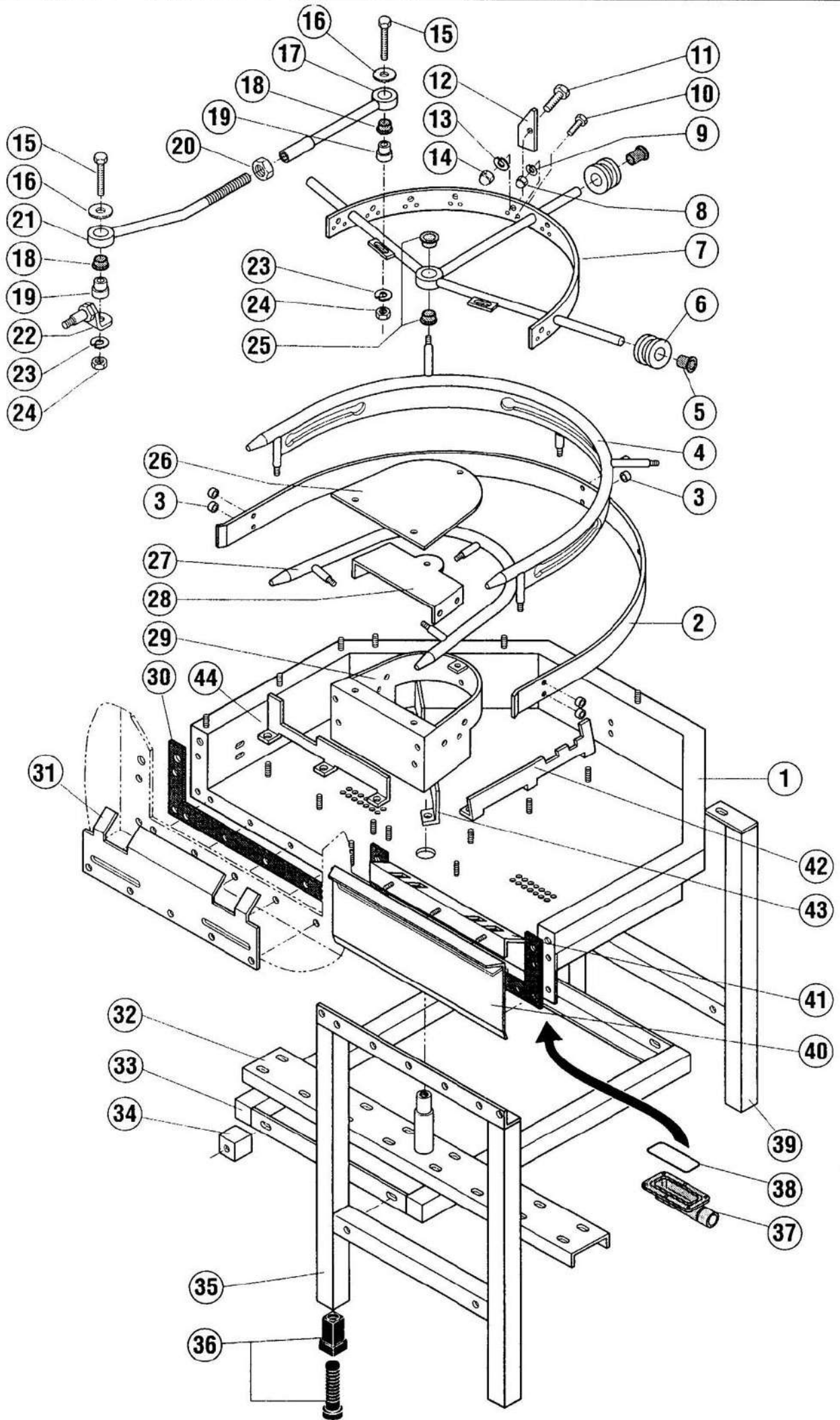


**HOBART****CDC 90  
CDC 180**

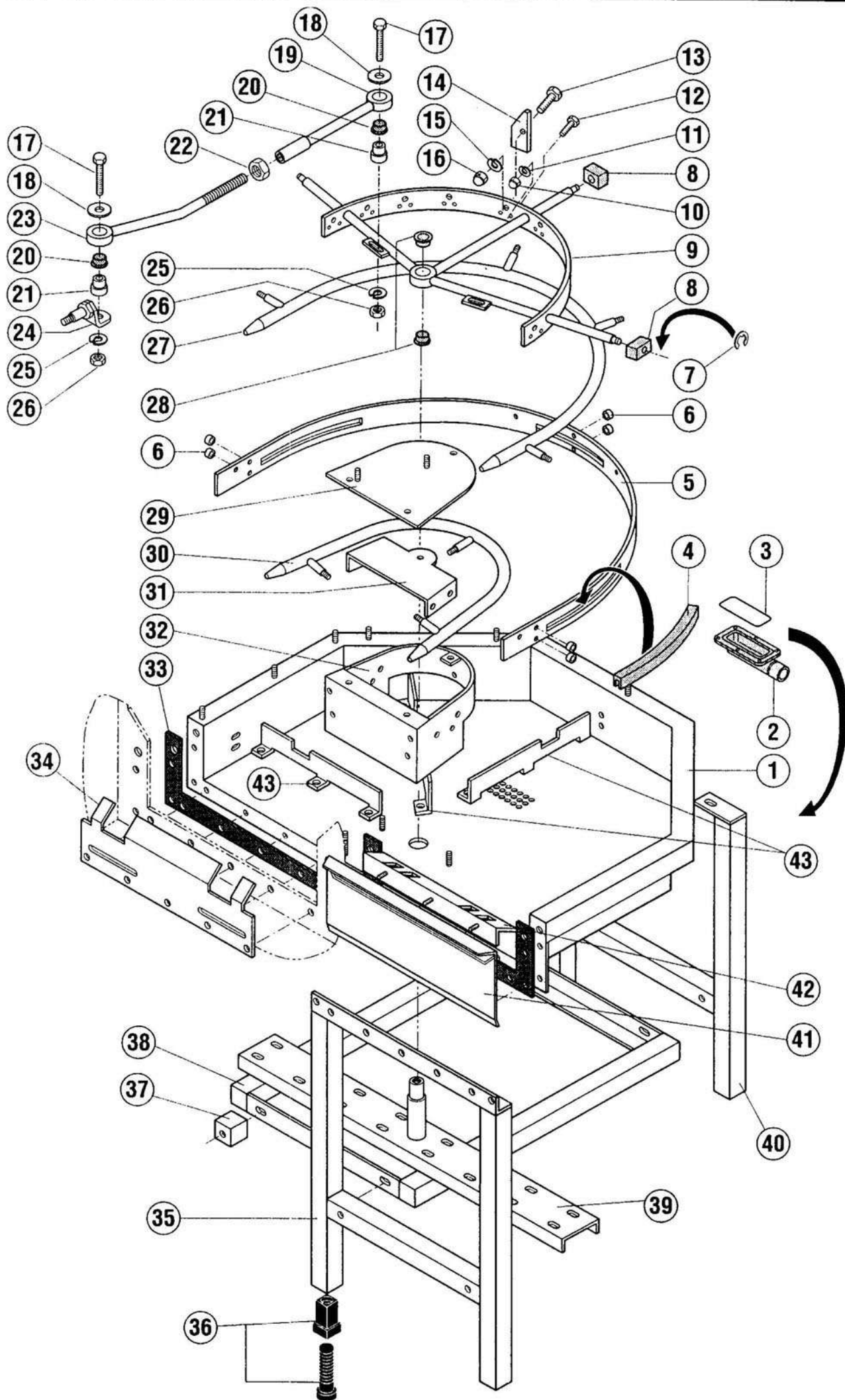
Pos.	L/R G/D	R/L D/G	Specifications / Spécification / Angaben / Opgaven
1	735 386-1	735 386-2	CDC 90
	735 405-1	735 405-2	CDC 180
2	735 381-1	=	
3	735 401-1	=	
4	735 334-1	=	CDC 90
5	735 263-1	735 263-2	
6	735 383-1	735 383-2	
7	735 379-1	735 379-2	
8	735 380-1	735 380-2	
9	735 384-1	=	
10	774 336-2	=	4x
11	735 375-1	=	
12	229 535	=	
13	229 554-...	=	see wirring diagram; voir schéma de cablage; siehe Schaltplan; zie elektrisch schema
14	735 389-1	=	
15	735 388-1	735 388-2	
16	324 157	=	
17	735 062-1	=	
18	735 014-1	=	
19	378 791	=	
20	846 979-4	=	
21	735 019-1	=	
22	229 189-...	=	see wirring diagram; voir schéma de cablage; siehe Schaltplan; zie elektrisch schema
23	735 150-1	=	



Pos.	L/R G/D	R/L D/G	Specifications / Spécification / Angaben / Opgaven
1	735 406-1	735 406-2	
2	735 119-1	=	
3	735 187-1	=	6x
4	735 191-1	=	
5	298 963-9	=	3x
6	866 693-1	=	3x
7	735 156-1	=	
8	602 512	=	
9	602 307	=	B6
10	602 569	=	M6 x 12
11	602 576	=	M8 x 16
12	734 981-1	=	
13	602 305	=	B8
14	602 513	=	M8
15	602 573	=	M6 x 35
16	603 362	=	
17	735 203-1	=	
18	298 963-7	=	2x
19	734 993-1	=	2x
20	602 493	=	M10
21	735 202-1	=	
22	735 361-1	=	
23	602 307	=	B6
24	602 502	=	M6
25	298 963-6	=	2x
26	735 408-1	735 408-2	
27	735 188-1	=	
28	735 160-1	=	
29	735 120-1	=	
30	168 834-9	=	
31	735 207-3	735 207-1	
32	735 121-1	=	
33	735 201-1	=	
34	735 363-1	=	
35	734 997-1	=	
36	170 191	=	4x
37	325 529-1	=	
38	276 903-35	=	
39	378 935	=	
40	781 108-2	=	
41	735 297-1	=	
42	869 161-1	869 161-2	
43	869 149-1	869 149-2	
44	735 407-1	735 407-2	



Pos.	L/R G/D	R/L D/G	Specifications / Spécification / Angaben / Opgaven
1	735 406-1	735 406-2	
2	325 529-1	=	
3	276 903-35	=	
4	735 184-1	=	
5	866 885-1	=	
6	735 187-1	=	6x
7	602 950	=	3x
8	735 183-1	=	3x
9	735 156-2	=	
10	602 512	=	
11	602 307	=	B6
12	602 569	=	M6 x 12
13	602 576	=	M8 x 16
14	734 981-1	=	
15	602 305	=	B8
16	602 513	=	M8
17	602 573	=	M6 x 35
18	603 362	=	
19	735 203-1	=	
20	298 963-7	=	2x
21	734 993-1	=	2x
22	602 493	=	M10
23	735 202-1	=	
24	735 361-1	=	
25	602 307	=	B6
26	602 502	=	M6
27	866 887-1	=	
28	298 963-6	=	2x
29	735 408-1	735 408-2	
30	735 188-1	=	
31	735 160-1	=	
32	735 120-1	=	
33	168 834-9	=	
34	735 207-1	=	
35	734 997-1	=	
36	170 191	=	4x
37	735 363-1	=	
38	735 201-1	=	
39	735 121-1	=	
40	378 935	=	
41	781 108-2	=	
42	735 297-1	=	
43	866 889-1	=	3X





Pos.	L/R G/D	R/L D/G	Specifications / Spécification / Angaben / Opgaven
1	735 402-1	=	
2	734 986-1	=	
3	866 523-1	=	
4	866 524-1	=	
5	602 307	=	B6
6	602 512	=	M6
7	602 305	=	B8
8	602 513	=	M8
9	602 569	=	M6 x 12
10	602 576	=	M8 x 16
11	734 981-1	=	4x
12	866 693-1	=	2x
13	298 963-9	=	2x
14	602 594	=	M12 x 30
15	734 973-1	=	
16	298 963-6	=	2x
17	734 988-1	=	
18	602 307	=	B6
19	602 502	=	M6
20	734 993-1	=	2x
21	298 963-7	=	2x
22	602 573	=	M6 x 35
23	603 362	=	
24	734 990-1	=	
25	602 493	=	M10
26	734 991-1	=	
27	735 361-1	=	
28	734 207-3	734 207-1	
29	276 903-35	=	
30	325 529-1	=	
31	735 332-1	=	
32	170 191	=	
33	734 996-1	734 996-2	
34	734 962-2	=	
35	781 108 -2	=	
36	735 297-1	=	
37	168 834-9	=	
38	869 139-1	869 139-2	
39	735 303-1	735 303-2	

